



Libraries Rock!



2018



Come grow with us.

Ongoing Programs

MAIN LOCATION

Somerset County Library

814.445.5907

6022 Glades Pike, Ste. 120
Somerset, PA 15501

Hours

Monday - Thursday
8 am - 8 pm

Friday
8 am - 5 pm

Saturday
8 am - 4 pm

BRANCH LOCATION

Conemaugh Township Library

814.479.0766

Hollsopple Community Bldg
PO Box 507
959 South Main Street
Hollsopple, PA 15935

Hours

Tuesday: 9:30 am - 6 pm
Thursday: 9:30 am - 6 pm
Saturday: 10 am - 2 pm

WEBSITE

somersetcolibrary.org

FACEBOOK & TWITTER

@SomersetCL



STEAM Club

Mondays 6 pm – 7 pm



Children (and their parents or caregivers) are invited to attend these free events to explore a variety of Science, Technology, Engineering, Arts and Mathematics toys, activities, and topics. Format & featured items and topics will vary from week to week. Topics are generally geared to ages 8 and up; however all ages are welcome. Younger children should have an adult with them to help with the projects.

Self-Guided Community Game Day

Tuesdays, 10 am – 12 pm



Come out to Somerset County Library's main location every Tuesday to meet current and new friends and join in friendly board games, card games, or other self-guided activities, such as adult coloring. A variety of board and card games will be spread out on tables throughout the Library just waiting for players.

Personal Enrichment Series

Tuesdays, 6 pm (length varies)



Come grow with us.

The Personal Enrichment Series features workshops, classes, seminars, movies, panel discussions, and special events on a variety of topics for a variety of audiences. Watch the somersetcolibrary.org website and @SomersetCL Facebook page for upcoming topics. Select classes and events may require pre-registration or a small fee to help cover costs of the program.

Monopoly Social Group

Thursdays, 10 am – 12 pm (length varies)



People in their 20's and 30's are invited to come to the main Somerset County Library location to socialize with others while enjoying a friendly game of Monopoly. No registration necessary.

littleBits Inventors Club

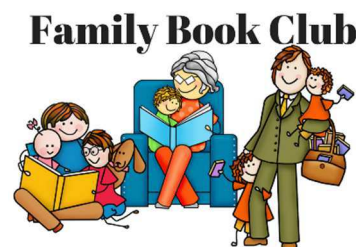
1st Saturday of each month, 1 pm – 2 pm



STEM fun for everyone—children, families, and adults! No Sign-up is necessary, just come & join the fun. littleBits Inventors Club is the first Saturday of every month from 1 pm – 2 pm (Except library closed days). Participants will learn critical thinking, problem solving, teamwork, creative design & computer basics. The Standards meet Next Generation Science Standards, Common Core Standards & design thinking process designed by Stanford University. All ages welcome.

Family Book Club

2nd Saturday of each month, 10 am – 11 am



A different family-friendly book is featured in the Family Book Club each month. Families are invited to come to the Somerset County Library main location the 2nd Saturday of each month at 10 am for activities and discussion related to that month's book. Family Book Club books are available at the Somerset County Library Desk to be signed out on a first-come first-served basis about a month prior to each Family Book Club meeting.

Movie Matinee

3rd Saturday of each month, 1 pm (length varies)



A different family-friendly movie is featured in the 3rd Saturday Movie Matinee each month. Watch the somersetcolibrary.org website or SomersetCL Facebook page for a listing of specific movies.

Preschool Block Party

4th Thursday & 4th Saturday of each month, 10 am – 11 am



A Block Party is an hour long free play session with a set of universal blocks, people, vehicles, animals, scarves and other accompanying materials where preschoolers have the freedom to build and play as they wish. Young children learn best when they are able to construct knowledge through meaningful play. With the materials provided children will build and experiment, manipulate objects, work with others, count and measure, talk about what they are building and building vocabulary; all activities that will help children

to achieve the Pennsylvania Learning Standards for early childhood in not only STEM areas, but also in language and literacy development, physical development and social and emotional development. Block Party supplies were provided by the Office of Commonwealth Libraries through the Cruise into Kindergarten grant program.



NOTE: Preschool Story Time is held on Fridays at 10 am during the school year.



Come grow with us.



Dear Parents,

Your children are invited to join your Somerset County Library's SummerQuest where they can win prizes for reading and doing learning activities designed to keep their minds active over the summer. Because nutrition and learning go hand in hand, we are also offering healthy lunches for children 18 and under through the USDA's Summer Food Service Program following each regular SummerQuest Club Meeting at the Somerset County Library's main location. This summer's theme, *Libraries Rock*, explores different types of sounds, and other STEAM activities. The SummerQuest Club Meetings, Summer Camps, and Food & Fun lunches and activities are free and open to children of all ages and abilities.

See the Registration Form in the SummerQuest catalog or visit the Somerset County Library, its Conemaugh Township Library branch, the SCFLS Bookmobile, or the website at somersetcolibrary.org to register for SummerQuest. We hope to see you at SummerQuest!

Be sure to check out additional summer activities, classes, and summer camps available at our main, Somerset location as well!

Sincerely,

Gail Clark

Gail Clark
Summer Reading Coordinator



SOMERSET COUNTY LIBRARY SummerQUEST CLUB ACTIVITIES

SOUNDS IN SILENCE BAT PROGRAM

Thursday, June 14, 1 – 2 pm



Guest presenter, Jerry Schneider has brought the wonderful world of bats to audiences since 2003, using amazing photos by Merlin D. Tuttle, former president of Bat Conservation International. This program features the echolocation calls of bats. What is echolocation? How loud is it? The bat program introduces audiences to local and tropical bats, the Vampire Bat, and many more of these flying mammals.

Children will create bat tee shirts after the presentation using a combination of fabric dye sprays, plants, and bat cut outs. Heavy cotton tee shirts will be available for \$4 or bring your own shirt to decorate.

Please register for this free event online at somersetcolibrary.org/events/sounds-in-silence-bat-program/, by phone, or using the Registration Form at the back of this catalog.

KICK-OFF CELEBRATION

Friday, June 15, 10:00 am – 11:30 am
(followed by **SummerFOOD&FUN!**)



Free registration requested. See Registration Form at the back of this catalog.

CLUB MEETINGS

Fridays, June 22 – July 27, 10:00 am – 11:30 am
(followed by **SummerFOOD&FUN!**)

Come enjoy a story or two plus activities, crafts, etc. Many activities will be based on this summer's theme *Libraries Rock*. Set and reach your personal summer reading goal and/or complete other activities in your quest for adventure, new experiences, learning, and prizes! Win prizes for reaching your goals! Free registration requested.

Last Day to Claim Prizes: August 31

Family Film Fridays

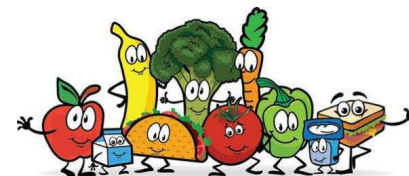
Fridays, June 1 & 8 and August 3, 10, 17 & 24, 10 am (length varies)

Enjoy a variety of family-friendly films. Bring pillows and blankets to make yourself comfortable. Snacks are available from the Friends of Somerset County Library food cart, and you are welcome to bring snacks from home.

SummerFOOD&FUN!

Healthy Lunches and Fun Times with Friends

On all **SummerQUEST Club** and **SummerQUEST Camp** dates at 11:30 am



Anyone 18 years and under can enjoy a free lunch and activities during **SummerFOOD&FUN!** Free registration requested to ensure enough food for all. However, drop-ins are welcome. See Registration Form at the back of this catalog. **SummerFOOD&FUN!** is made possible through the USDA Summer Food Service Program.

How Does your Garden Grow?

On at least 3 of the **SummerQUEST Club** Meeting Fridays (June 22-July 27), after lunch

Master Gardeners of Somerset County, your Somerset County Library partners for the annual **Flowers & Friends** program, will use raised vegetable garden beds at the main Somerset County Library location to teach children:

- what plants require to grow and how they grow
- how to plant seeds successfully
- how transplants, such as tomatoes and peppers are planted and how they grow
- how to water, weed and otherwise maintain a vegetable garden
- how and when to harvest the garden's bounty.



This expansion of the **Flowers & Friends** program was made possible by a Summer Food Service program Partner Support Impact Grant from the Greater Pittsburgh Community Food Bank.

Libraries Rock! Conemaugh Township Library Branch SummerQUEST CLUB ACTIVITIES

SummerQUEST CLUB KICK-OFF CELEBRATION

Thursday, June 28, 11 am – 12 pm

Free registration requested. See Registration Form on the back of this catalog.

SummerQUEST CLUB CLUB MEETINGS

Thursdays, July 5 – July 26, 11 am – 12 pm

Come enjoy a story or two plus activities, crafts, etc. Many activities will be based on this summer's theme *Libraries Rock*. Set and reach your personal summer reading goal and/or complete other activities in your quest for adventure, new experiences, learning, and prizes! Win prizes for successfully completing your Quest and meeting your goals! Free registration requested. See Registration Form on the back of this catalog.





**All SummerQUEST Camps
take place at the main
Somerset County Library Location**

**SummerQUEST
Camp INFO**

**FREE advance
registration is required
for all
SummerQUEST Camps.**

Space is limited to a maximum of 18 participants per camp.

Bring Registration Form from the back of this catalog to the library or the bookmobile or register online, by email, by fax, or by phone:

Somerset County Library
6022 Glades Pike, Ste. 120
Somerset, PA 15501-4300
Somersetcolibrary.org
lneal@somersetcolibrary.org
Phone: 814.445.5907
Fax: 814.443.0650



Electronics & Robotics Camp For Beginners

Monday-Wednesday, June 18-20, 10 am – 1 pm
(includes **SummerFOOD&FUN!** lunch daily)

Electronics & Robotics campers will apply skills in science, technology, engineering, arts, and math through hands-on exploration, tinkering and inventing using electronic gadgets, gizmos, computer circuit boards, household items, and tiny smart robots that you program using color codes that you draw on paper or send through a computer as flashes of light.



Learn basic robotic, electrical, and programming concepts. Make motors whir, lights blink, and buzzers ring. Invent new gadgets

and gizmos by connecting electrical components and household items. Draw a maze and program a robot to spin and turn its way through it.

Mad Science Movie Lab

Monday-Friday, June 25-29, 10 am – 1 pm
(includes **SummerFOOD&FUN!** lunch daily)



they will experiment, explore, and make items and inventions based on the movies.

Mad scientists and movie fans unite! Pull out your Einstein wig and strap on your goggles or 3D glasses! Campers in the Mad Science Movie Lab will enjoy movies featuring mad scientists, science fiction, and wacky inventions followed by lab time where



Piper 1: Computer Hardware Crafting For Curious Beginners Ages 8 - 18

Monday-Friday, July 16-20, 10:30 am – 1:00 pm
(includes **SummerFOOD&FUN!** lunch daily)



Somerset County Library presents five action-packed days of PiperCraft* game play and instruction designed to turn screen time into build time. This camp is organized and presented by staff of the Somerset County Library making use of Piper Computer Kits. During the camp, kids and teens will work in teams of up to 3 to assemble their computer themselves, advance through a Raspberry Pi Edition of Minecraft Story, and learn physical engineering and electronics in the process. Each lesson builds on the last. It is our ultimate goal to increase participant's creative confidence around computers and electronics. Pre and post-course surveys will be used to help us measure our success.

*PiperCraft is a version of the Minecraft game in which players engineer real-world electronics to use in the game.

Science of Sound

Monday-Wednesday, July 23-25, 10 am – 1 pm
(includes **SummerFOOD&FUN!** lunch daily)

Through a combination of demonstrations, instruction, and hands-on activities, tinkering, and experiments, campers will learn about and experience the Science of Sound.

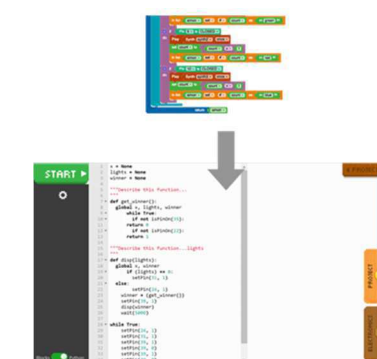
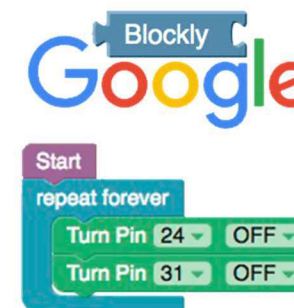
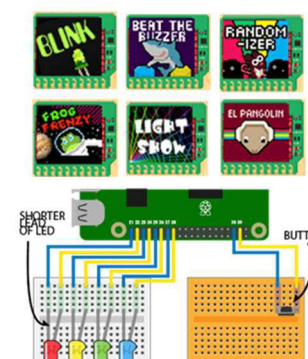


Piper 2: Coding with Piper

Monday-Wednesday, August 6-8, 10:30 am – 1 pm
(includes **SummerFOOD&FUN!** lunch daily)

(Pre-requisite: Piper 1 Computer Hardware Crafting experience from 2017 STEAM Club or Summer Camp or 2018 **SummerQUEST Camp.**)

Campers experienced in the use of the Piper Computer Kit and PiperCraft game will take their learning to new levels in the **SummerQUEST Camp** Piper 2: Coding with Piper. Through the use of PiperCode, campers will gain experience coding and programming electronics as they create physical electronic games. PiperCode uses Blockly by Google, a drag & drop coding programming language that enables kids to modify and change how their electronics work on the RaspberryPi. After learning PiperCode, people can easily transition from Blockly to more advanced Python text-based programming.





2018 REGISTRATION FORM

SummerQUEST Club, SummerQUEST Camps, SummerFOOD&FUN!



Name of Adult or Guardian: _____ Somerset Conemaugh Bookmobile

Address: _____ Phone: _____

Email address: _____ Opt-in to Library Flyers & News by email? YES NO

Participant's Name	Age	Grade in Fall	School or Home School Name

The listed participant(s) plan to do/attend the following (Check all that apply):

Participate in SummerQUEST Club

- Complete Activity/Reading Logs
- Attend SummerQUEST Club Kick-Off
- Attend SummerQUEST Club Meetings
- Attend Family Film Fridays June 1 & 8 and August 3, 10, 17 & 24, 10 am (length varies)
- Attend Sounds in Silence Bat Program Thursday, June 14, 1 – 2 pm

Participate in SummerFOOD&FUN! (when at Library)

- Eat a FREE Lunch
- Learn about Vegetable Gardening with Master Gardeners
- Socialize with others

Attend the following SummerQUEST Camp(s):

- Electronics & Robotics Camp Monday-Wednesday, June 18-20, 10 am – 1 pm
- Mad Science Movie Lab Monday-Friday, June 25-29, 10 am – 1 pm
- Piper 1: Computer Hardware Crafting Monday-Friday, July 16-20, 10:30 am – 1:00 pm
- Science of Sound Monday-Wednesday, July 23-25, 10 am – 1 pm
- Piper 2: Coding with Piper Monday-Wednesday, August 6-8, 10:30 am – 1 pm

PHOTO/VIDEO RELEASE FORM

I _____ am the parent or legal guardian of the above-listed child(ren).
(Name, Please Print)

I understand the Somerset County Library may photograph or videotape the events or activities in which I am (or my child is) participating. I give my permission for the Somerset County Library to use photographs or videotape of me (or my child) for publicity in print or electronic format. I give my permission with the following understanding: No compensation of any kind will be paid to me (or my child) at this time or in the future for the use of my (or my child's) likeness.

Adult/Parent/Guardian Signature: _____ Date: _____



somersetcolibrary.org

Your Library Card...
Your All Access Ticket!



OverDrive

audiobooks:
borrow. listen. love.



OverDrive



somersetcolibrary.org

Your Library Card...
Your All Access Ticket!



OverDrive

audiobooks:
borrow. listen. love.



OverDrive



somersetcolibrary.org



LearningExpress
LIBRARY™

Rock your



Test Scores!



LearningExpress
LIBRARY™

Rock your



Test Scores!



Could you be
the next big
star?



Could you be
the next big
star?

SAVE
THE DATE!

Saturday,
September 8, 2018

S/P-101:
STAGE/
PERFORMANCE
WORKSHOPS

LED BY THREE-TIME GRAMMY
AWARD-WINNING COUNTRY
PERFORMER AND SONGWRITER
LINDA DAVIS, MOTHER AND MENTOR
OF DAUGHTER HILLARY SCOTT OF
LADY ANTEBELLUM!

THESE REDUCED COST WORKSHOPS
ARE OPEN TO PEOPLE OF ALL AGES
WHO ASPIRE TO A CAREER IN
MUSIC, STAGE PERFORMANCE, OR
PUBLIC SPEAKING OF ANY KIND OR
WHO JUST WANT TO IMPROVE THEIR
STAGE PRESENCE.

AT LEAST 2 ATTENDEES WILL BE
INVITED TO OPEN FOR LINDA'S LOCAL
PERFORMANCE ON SEPTEMBER 9TH!
NOW ACCEPTING SPONSORSHIPS TO
REDUCE THE COST OF THE WORKSHOP.
CONTACT: SOMERSET COUNTY LIBRARY
814-445-5907, EXT. 4



ASPIRING PERFORMERS & PUBLIC SPEAKERS,
LEARN FROM GRAMMY AWARD WINNER
Linda Davis



SAVE
THE DATE!

Saturday,
September 8, 2018

S/P-101:
STAGE/
PERFORMANCE
WORKSHOPS

LED BY THREE-TIME GRAMMY
AWARD-WINNING COUNTRY
PERFORMER AND SONGWRITER
LINDA DAVIS, MOTHER AND MENTOR
OF DAUGHTER HILLARY SCOTT OF
LADY ANTEBELLUM!

THESE REDUCED COST WORKSHOPS
ARE OPEN TO PEOPLE OF ALL AGES
WHO ASPIRE TO A CAREER IN
MUSIC, STAGE PERFORMANCE, OR
PUBLIC SPEAKING OF ANY KIND OR
WHO JUST WANT TO IMPROVE THEIR
STAGE PRESENCE.

AT LEAST 2 ATTENDEES WILL BE
INVITED TO OPEN FOR LINDA'S LOCAL
PERFORMANCE ON SEPTEMBER 9TH!
NOW ACCEPTING SPONSORSHIPS TO
REDUCE THE COST OF THE WORKSHOP.
CONTACT: SOMERSET COUNTY LIBRARY
814-445-5907, EXT. 4



ASPIRING PERFORMERS & PUBLIC SPEAKERS,
LEARN FROM GRAMMY AWARD WINNER
Linda Davis

